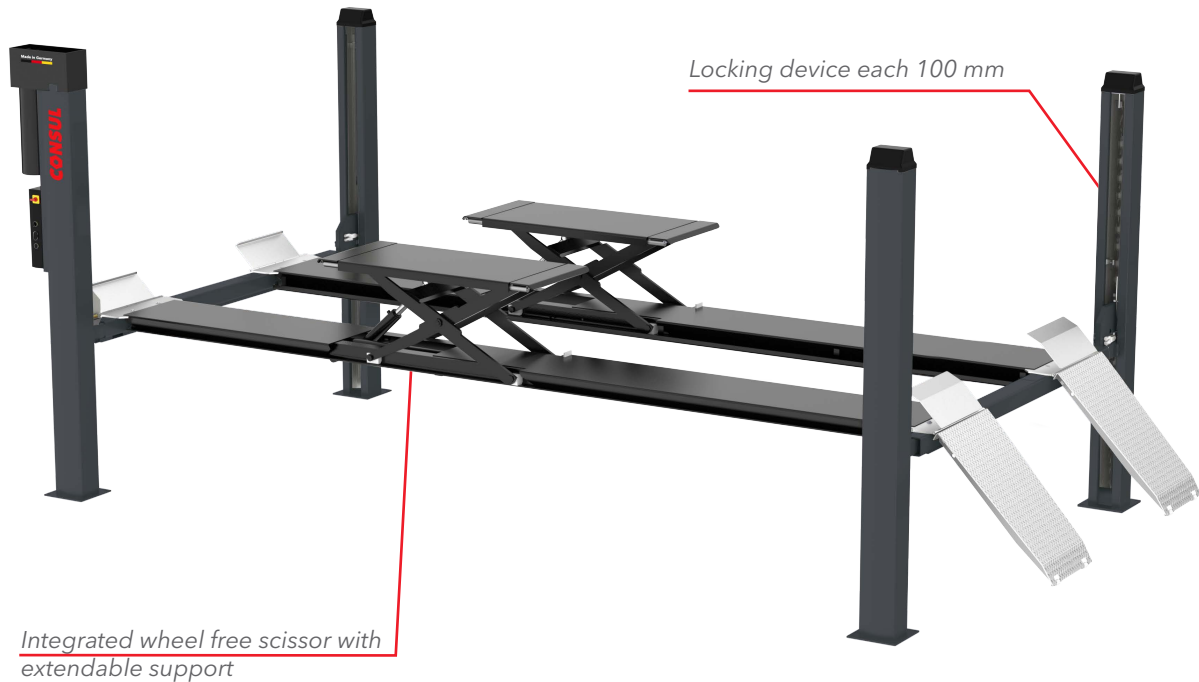


OEM - 4 post lift according to Mercedes-Benz guidelines

CONSUL[®]



Equipment

Stand 04/2021

- Low noise hydraulic under oil drive
- Electro-hydraulic control
- Separated main switch (can be locked as required by CE)
- Acoustic foot protection
- Hydraulic traction cylinder
- Slack cable and cable failure safety feature and roll back protection
- Integrated rail for jacking beam
- Central control for pneumatic locking device (8 bar)
- Locking bars for overall lifting height with locking device each 100 mm
- Integrated wheel free scissor with extendable support
- Wheel free scissor with Master / Slave hydraulic system
- Protection class IP54, GS approved, DIN EN 1493, CE approved
- Lift in RAL 7015
- Inclusive 40 mm rubber pads
- Inclusive lighting
- Inclusive 1 socket in country-specific design (e.g. 230V/16A)
- Inclusive 2x Y compressed air safety connections
- Inclusive long drive-on ramps (1.500 mm long)
- Inclusive document holder
- Inclusive installation material

Modell		4.35 L-SN
Article-No.		542100
Capacity	kg	3.500 / 3.500 (SN)*
Motor data	kW / A / V	1 x 3,0 / 16 / 400
Lifting / lowering time	s	35
A Lifting height	mm	2.050
B Set-up height	mm	2.660
C Set-up width ^{1/2}	mm	3.220 / 6.320
D Drive-on /-over height	mm	140
E Platform width	mm	650
F Platform length	mm	4.800
G Platform width SN*	mm	650
H Platform length SN*	mm	1.400 - 1.900
I Lifting height SN*	mm	450
J Drive-on / -over height SN*	mm	50
K Clear distance columns	mm	2.780
L Clear distance platforms	mm	900

SN* = Radfreiheber

