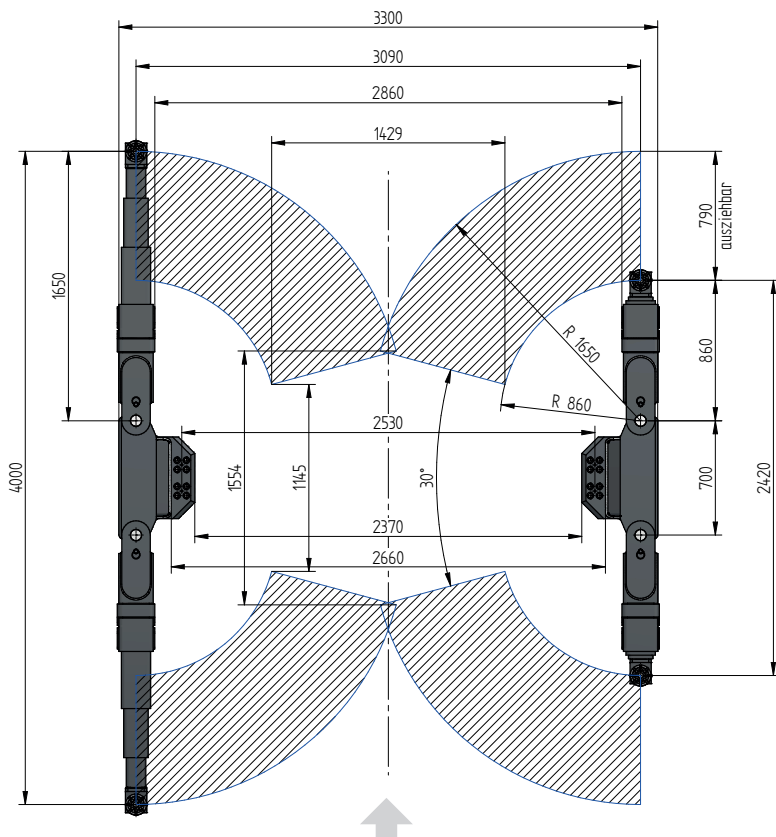
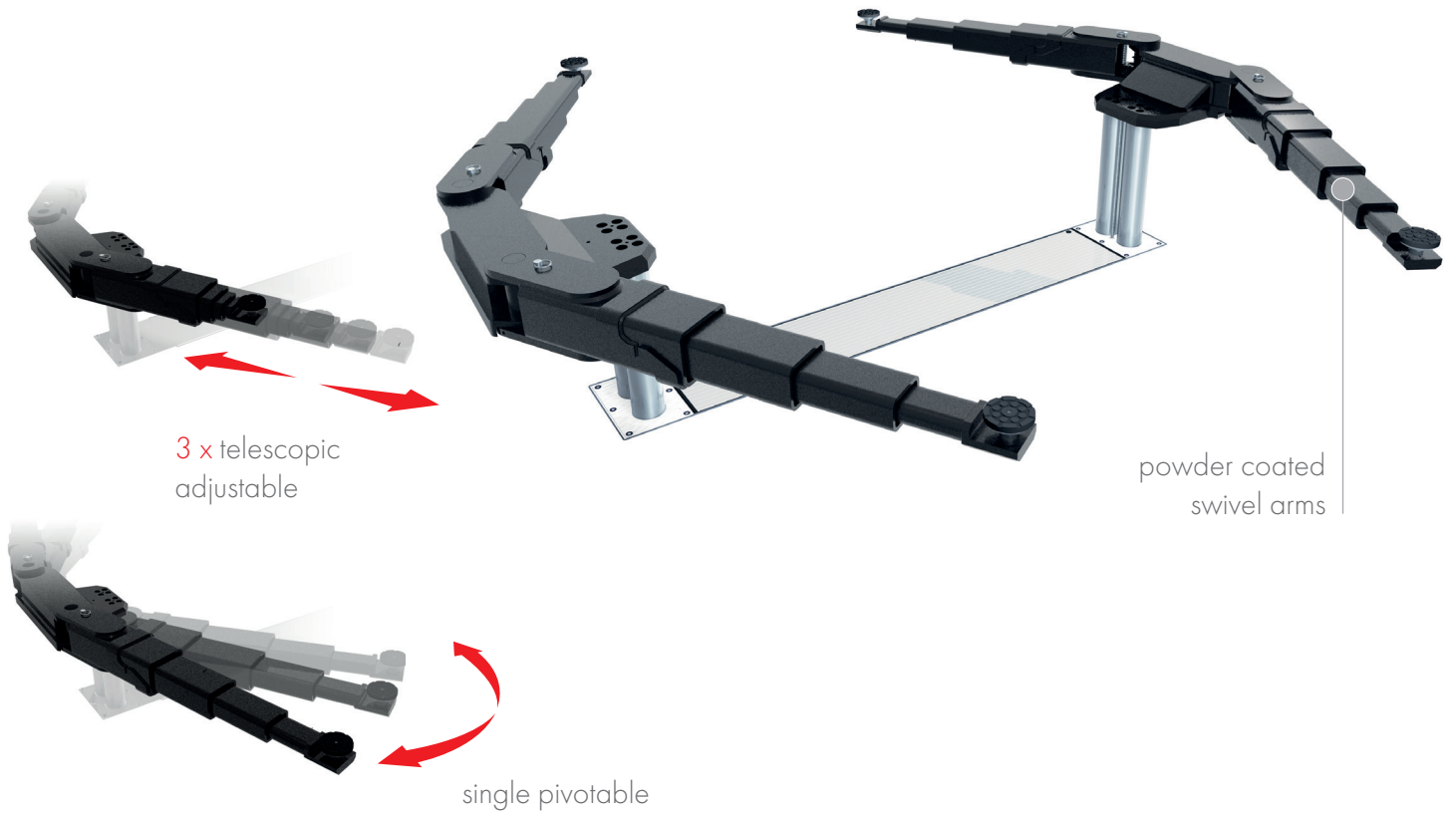


## SURFACE MOUNTED

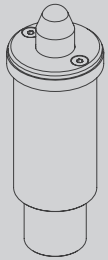


## TECHNICAL DATA

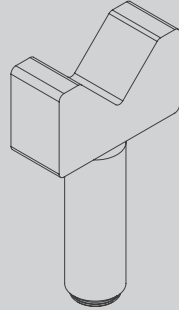
Capacity	5500 kg
Effective raise height	2074 mm
Move in height	150 mm
Piston diameter	123 mm
Piston distance	2530 mm
Installation depth	2408 mm
Motor output	3,0 kW
Power connector	400 V/16 A
Cable length to control	11 m
Lifting time	≈ 35 sec.
Lowering time	≈ 35 sec.

Support Duplex 4.55	111353
Installation cassette STEEL 2530 mm	2330XX
Installation cassette STEEL 2530 mm galvanized	2331XX
Lifting unit oil 5,5 l Duplex 2530 mm - K pre-assembled in installation cassette	111350
Lifting unit oil 5,5 l Duplex 2530 mm - H packed in wooden box	111351

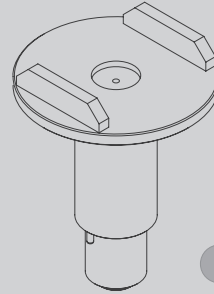
## ACCESSORIES



1



2



3



4

**1** Stacking adapter NCV3

d 45 x d 70 / 125-250 mm

102290 (1 set / 2 pcs.)

**2** Stacking adapter V-prism

d 45 / 182-312 mm

102289 (1 set / 2 pcs.)

**3** Stacking adapter U-form

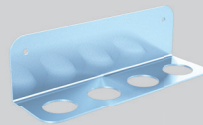
d 130 x d 45 / 193-295 mm

102288 (1 set / 4 pcs.)

**4** Stacking adapter extension

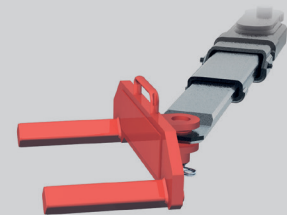
130 mm

102287 (1 set / 4 pcs.)



Bracket for stacking-  
adapter extension

111578



Wheel lifting adapter  
Duplex

111580 (1 Set / 4 Pieces)

**Herrmann AG**  
Bahnhofstrasse 32  
D-93483 Pöding

Phone: +49 (0)9461/91388 50  
E-Mail: [sales@herrmann-lifts.com](mailto:sales@herrmann-lifts.com)

[www.herrmann-lifts.com](http://www.herrmann-lifts.com)