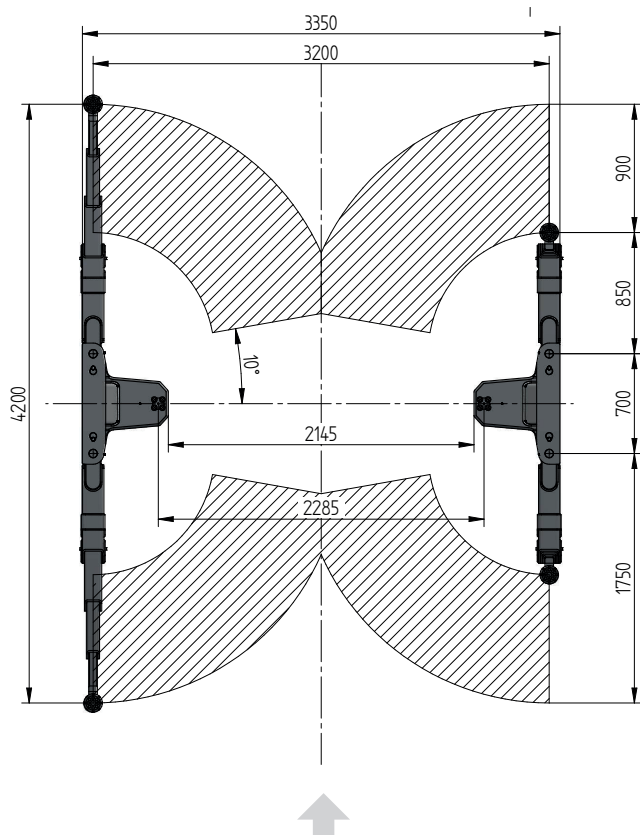
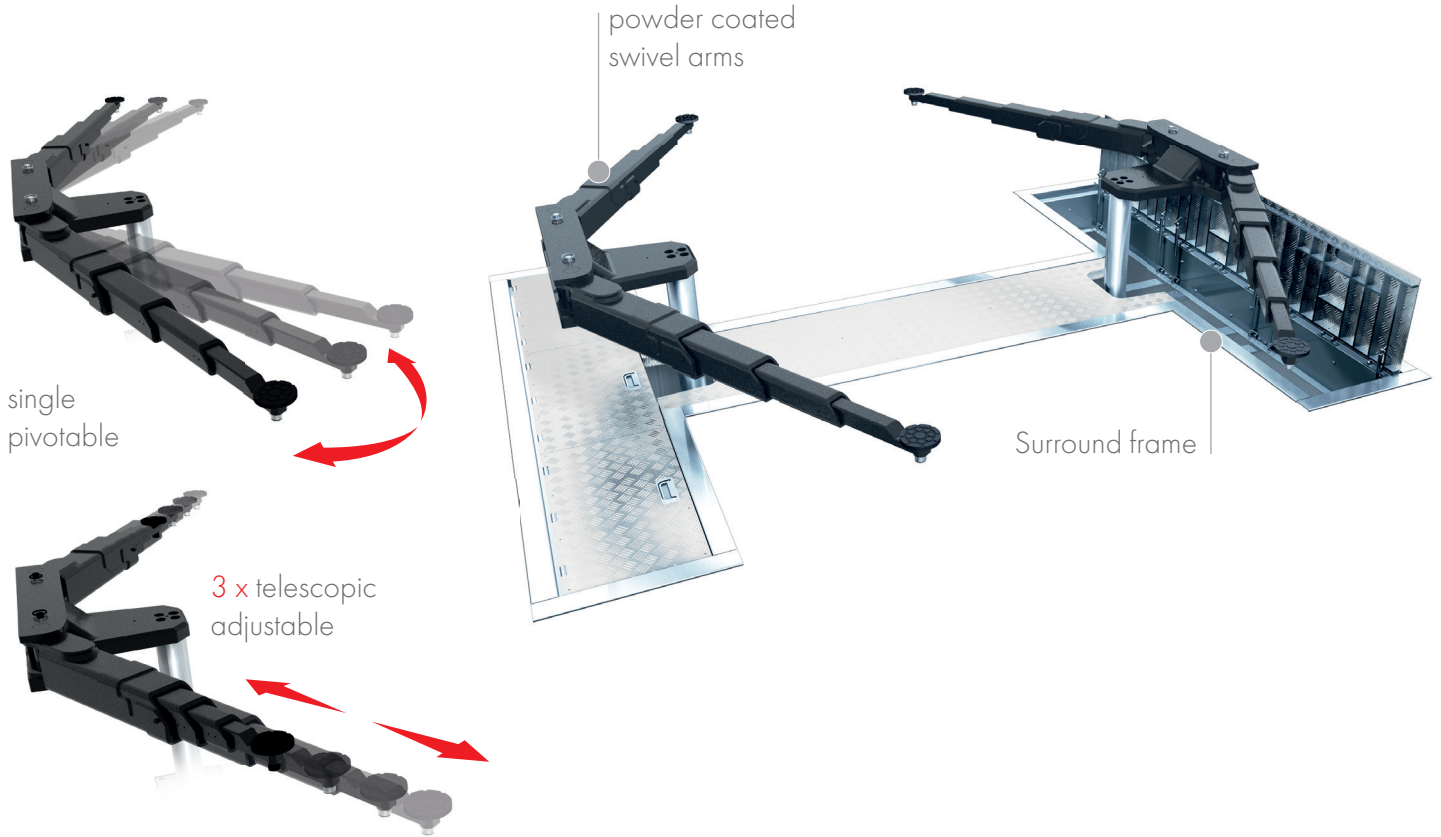


FLUSH MOUNTED

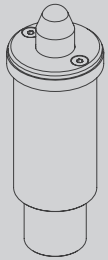


TECHNICAL DATA

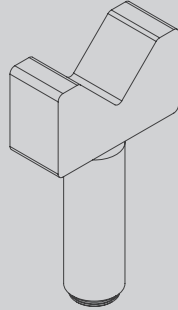
Capacity	5000 kg
Effective raise height	2037 mm
Move in height	120 mm
Piston diameter	123 mm
Piston distance	2285 mm
Installation depth	2408 mm
Motor output	3,0 kW
Power connector	400 V/16 A
Cable length to control	11 m
Lifting time	≈ 35 sec.
Lowering time	≈ 35 sec.

Support Swingarm 2.50	111624
Installation cassette STEEL 2285 mm	2020XX
Installation cassette STEEL 2285 mm galvanized	2021XX
Lifting unit oil 5,0 l 2285 mm - K pre-assembled in installation cassette	111627
Lifting unit oil 5,0 l 2285 mm - H packed in wooden box	111628
Surround frame Swingarm 2285	111676

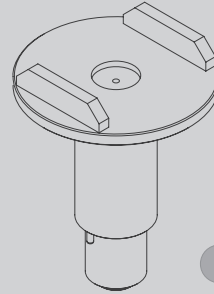
ACCESSORIES



1



2



3



4

1 Stacking adapter NCV3

d 45 x d 70 / 125-250 mm

102290 (1 set / 2 pcs.)

3 Stacking adapter U-form

d 130 x d 45 / 193-295 mm

102288 (1 set / 4 pcs.)

2 Stacking adapter V-prism

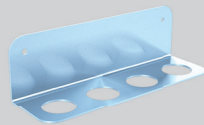
d 45 / 182-312 mm

102289 (1 set / 2 pcs.)

4 Stacking adapter extension

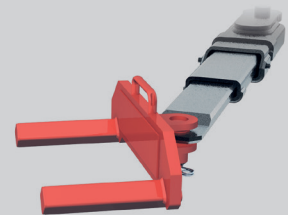
130 mm

102287 (1 set / 4 pcs.)



Bracket for stacking-
adapter extension

111578



Wheel lifting adapter

111849 (1 Set / 4 Pieces)

Herrmann AG
Bahnhofstrasse 32
D-93483 Pöding

Phone: +49 (0)9461/91388 50
E-Mail: sales@herrmann-lifts.com

www.herrmann-lifts.com