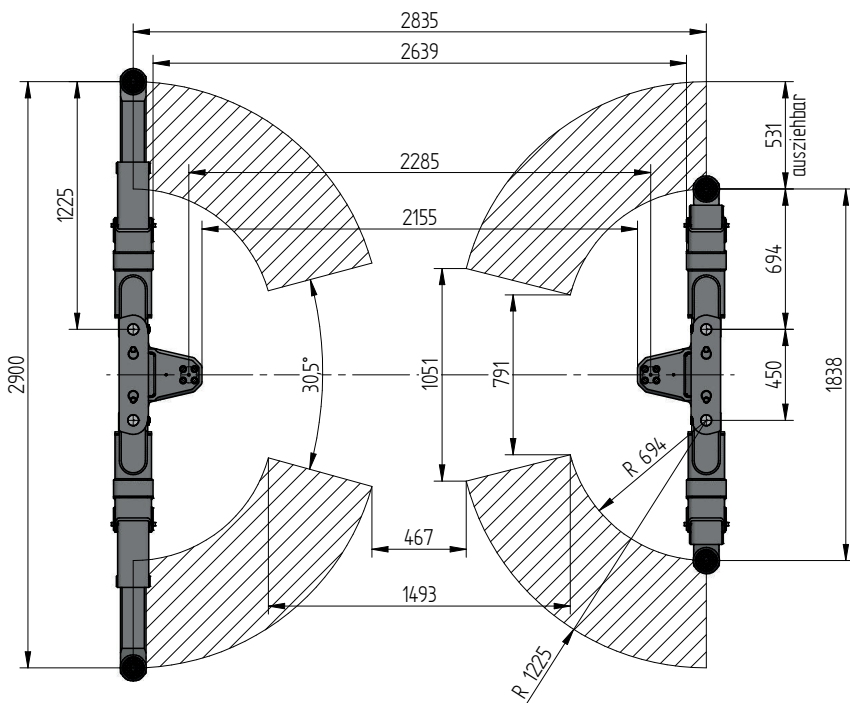
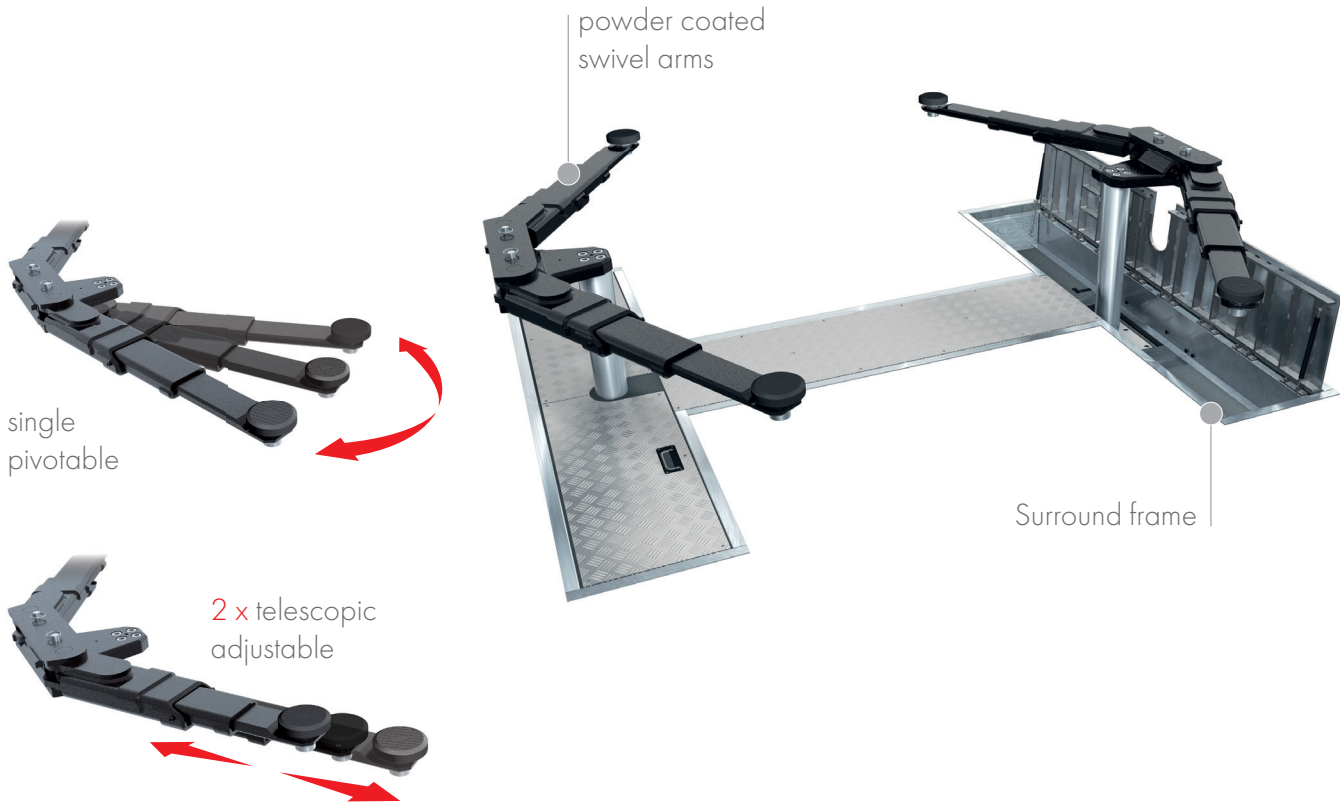


FLUSH MOUNTED



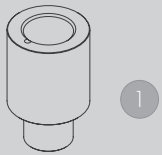
TECHNICAL DATA

Capacity	3500 kg
Effective raise height	2048 mm
Move in height	90 mm
Piston diameter	123 mm
Piston distance	2285 mm
Installation depth	2408 mm
Motor output	3,0 kW
Power connector	400 V/16 A
Cable length to control	11 m
Lifting time	≈ 35 sec.
Lowering time	≈ 35 sec.

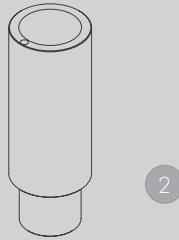
Support Swingarm 2.35	109229
Support Swingarm 2.35 reinforced	111590
Installation cassette STEEL 2285 mm	2020XX
Installation cassette STEEL 2285 mm galvanized	2021XX
Lifting unit oil 3,5 l 2285 mm - K pre-assembled in installation cassette	110114
Lifting unit oil 3,5 l 2285 mm - H packed in wooden box	110115
Surround frame Swingarm 2285	109737



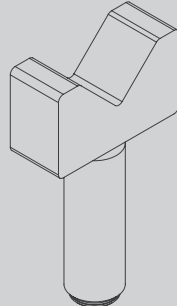
ACCESSORIES



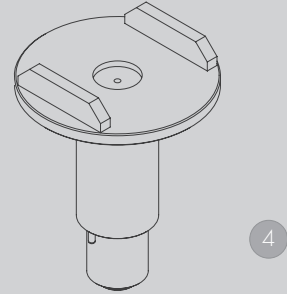
1 Stacking adapter
extension 89 mm
d 50 x 89 mm
109679 (1 Set / 4 Pieces)



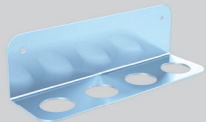
2 Stacking adapter
extension 127 mm
d 50 x 127 mm
109680 (1 Set / 4 Pieces)



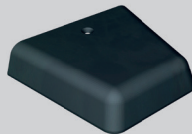
3 Stacking adapter
V-shape
d 50 / 87 - 130 mm
109683 (1 Set / 4 Pieces)



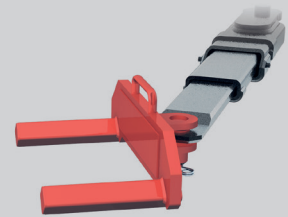
4 Stacking adapter
U-form
d 50
110397 (1 Set / 4 Pieces)



Bracket for stacking-
adapter extension
111578



Rim protector
110407 (1 Set / 2 Pieces)



Wheel lifting adapter
Swingarm 2.35
111258 (1 Set / 4 Pieces)

Herrmann AG
Bahnhofstrasse 32
D-93483 Pöding

Phone: +49 (0)9461/91388 50
E-Mail: sales@herrmann-lifts.com

www.herrmann-lifts.com