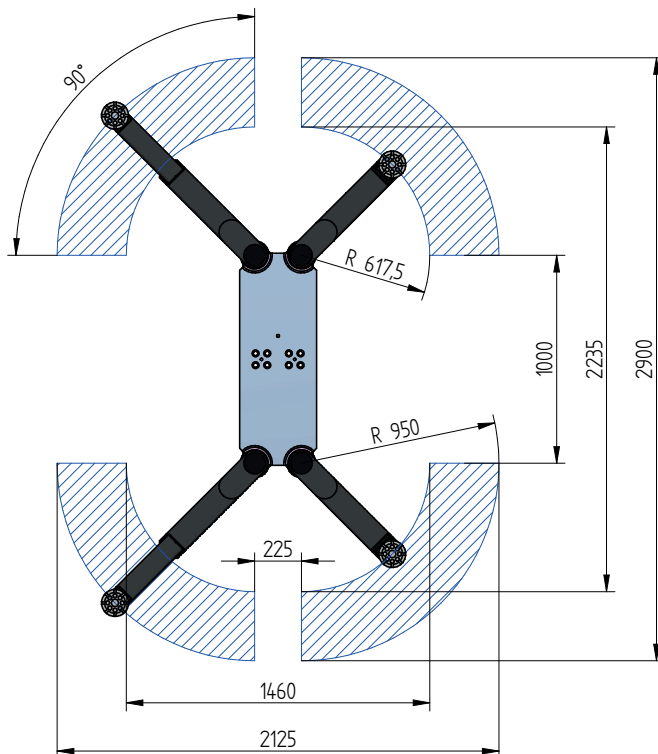
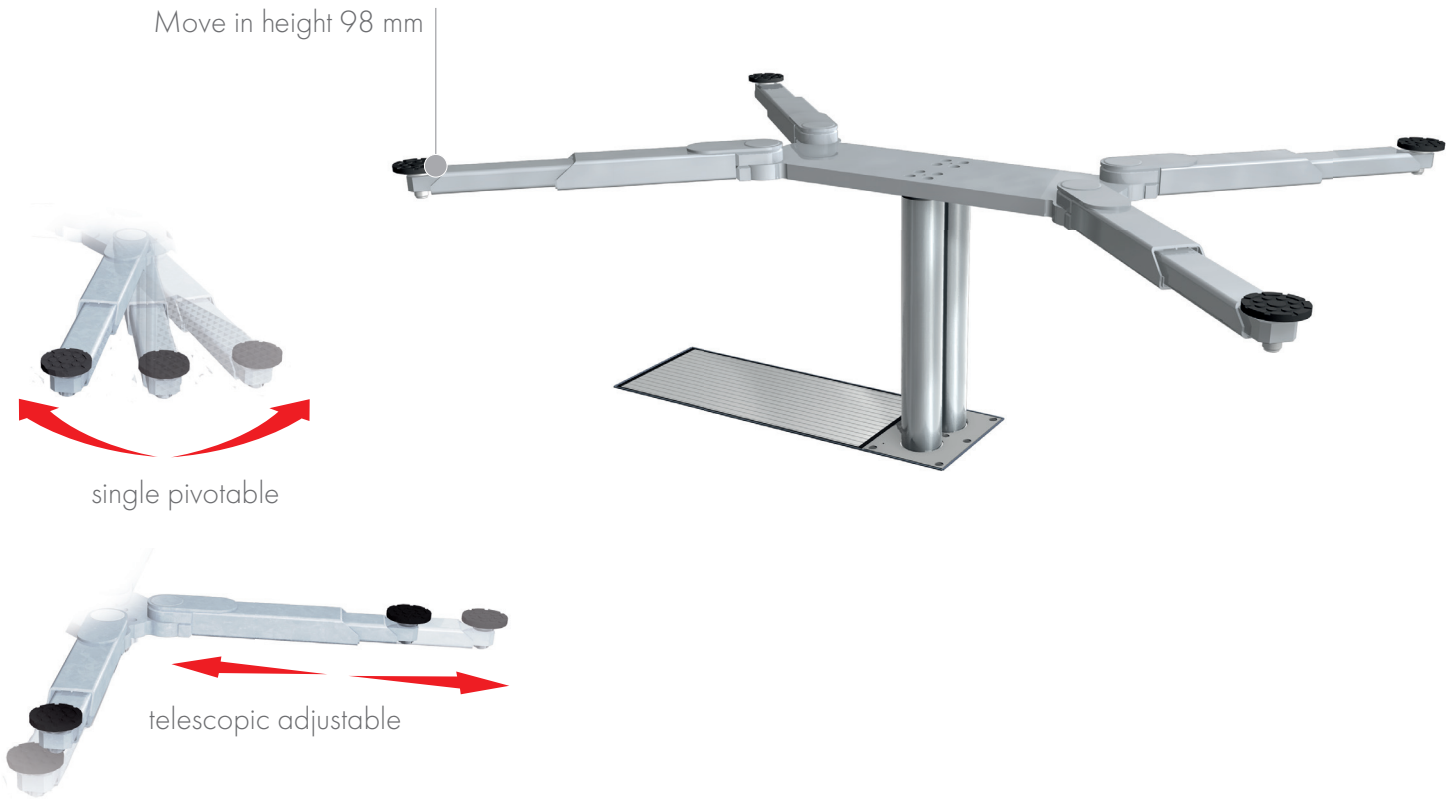


SURFACE MOUNTED

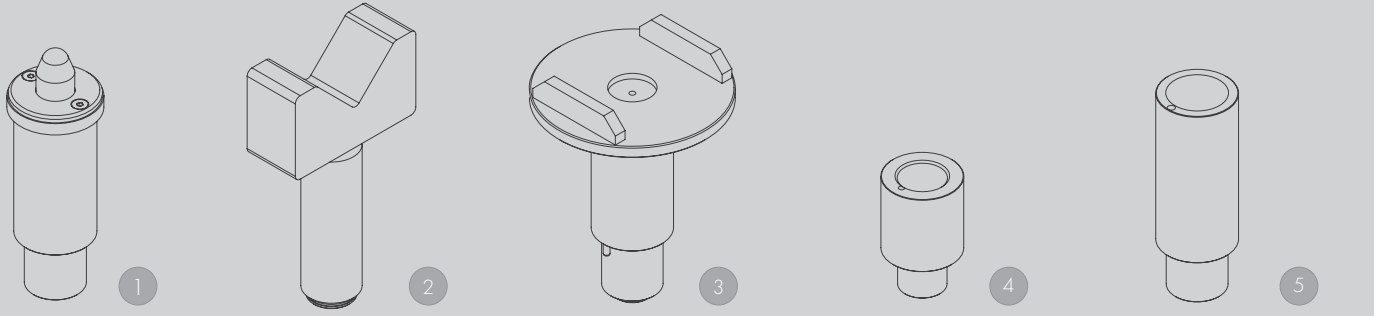


## TECHNICAL DATA

Capacity	3500 kg
Effective raise height	2067 mm
Move in height	98 mm
Piston diameter	123 mm
Installation depth	2408 mm
Motor output	3,0 kW
Power connector	400 V/16 A
Cable length to control	11 m
Lifting time	≈ 35 sec.
Lowering time	≈ 35 sec.

Support Classic 1.35 X maxi galvanized	110174
Installation cassette STEEL 1-piston	2040XX
Installation cassette STEEL 1-piston galvanized	2041XX
Lifting unit oil 3,5 t 1-piston - K pre-assembled in installation cassette	110077
Lifting unit oil 3,5 t 1-piston - H packed in wooden box	110125

## ACCESSORIES



1 | Stacking adapter NCV3  
d 45 x d 70 / 125-250 mm  
102290 (1 set / 2 pcs.)

2 | Stacking adapter V-prism  
d 45 / 182-312 mm  
102289 (1 set / 2 pcs.)

3 | Stacking adapter U-form  
d 130 x d 45 / 193-295 mm  
102288 (1 set / 4 pcs.)

4 | Stacking adapter extension  
80 mm  
102284 (1 set / 4 pcs.)

5 | Stacking adapter extension  
130 mm  
102287 (1 set / 4 pcs.)

**Herrmann AG**  
Bahnhofstrasse 32  
D-93483 Pöding

Phone: +49 (0)9461/91388 50  
E-Mail: [sales@herrmann-lifts.com](mailto:sales@herrmann-lifts.com)

[www.herrmann-lifts.com](http://www.herrmann-lifts.com)