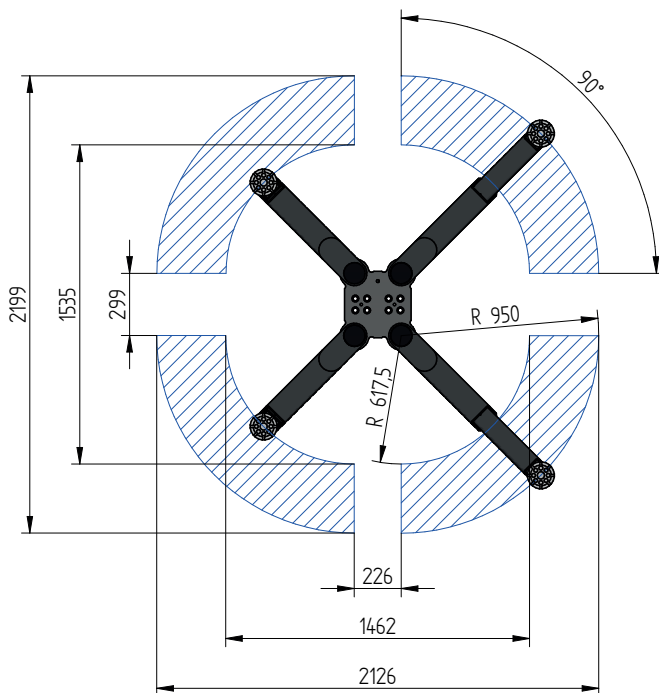
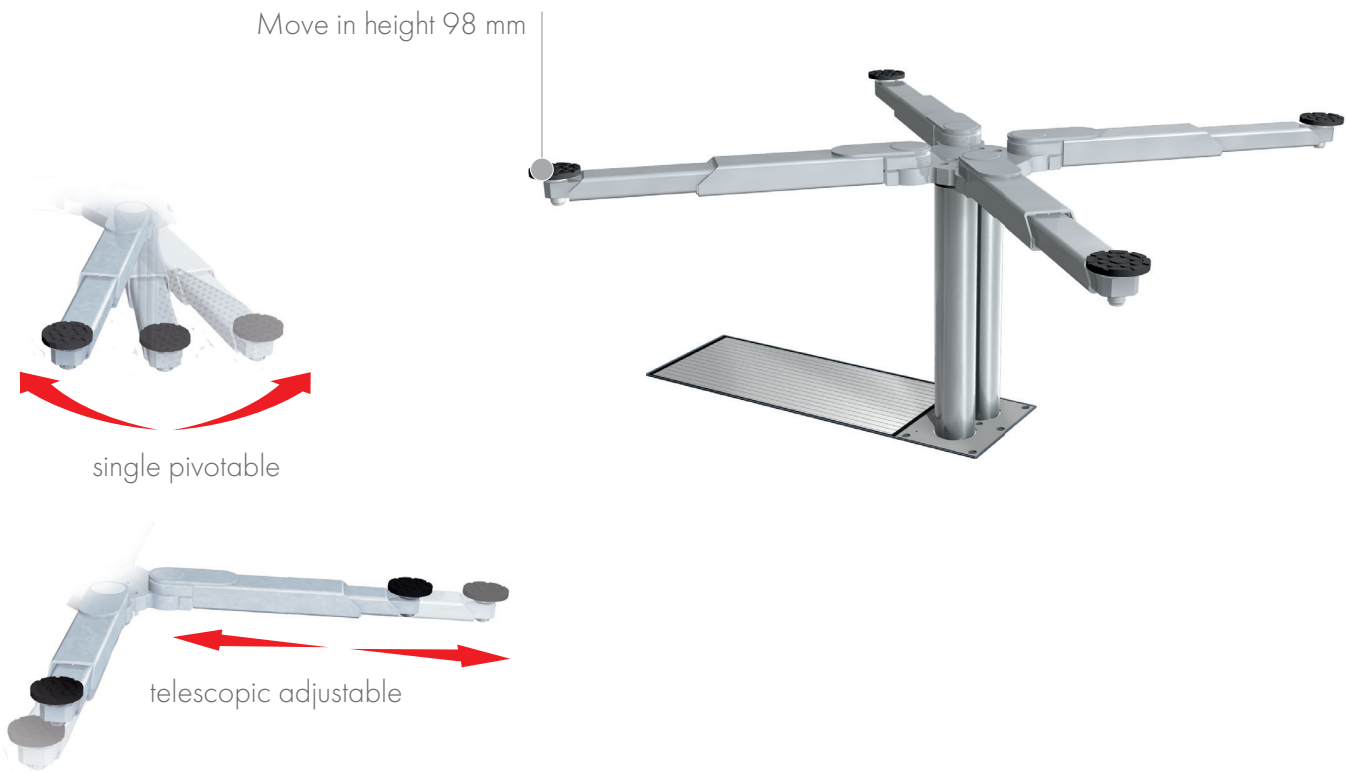


SURFACE MOUNTED



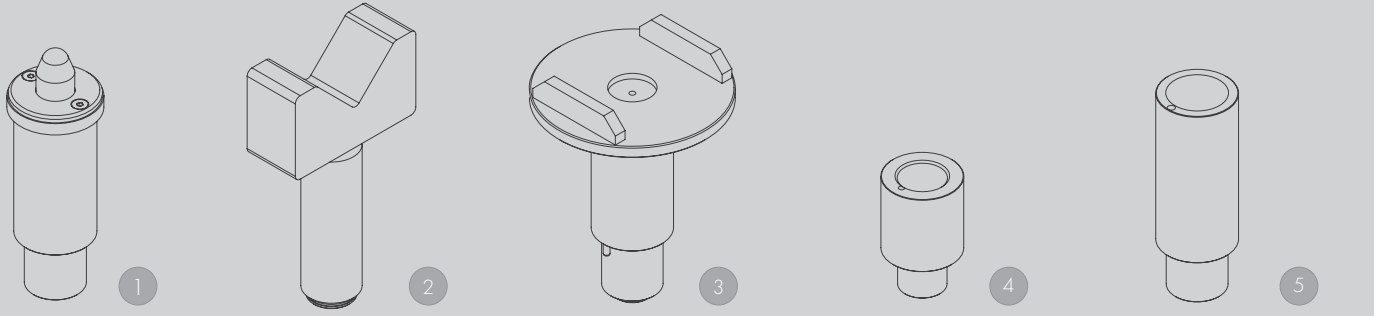
TECHNICAL DATA

Capacity	3500 kg
Effective raise height	2067 mm
Move in height	98 mm
Piston diameter	123 mm
Installation depth	2408 mm
Motor output	3,0 kW
Power connector	400 V/16 A
Cable length to control	11 m
Lifting time	≈ 35 sec.
Lowering time	≈ 35 sec.

Support Classic 1.35 X galvanized	109779
Installation cassette STEEL 1-piston	2040XX
Installation cassette STEEL 1-piston galvanized	2041XX
Lifting unit oil 3,5 t 1-piston - K pre-assembled in installation cassette	110077
Lifting unit oil 3,5 t 1-piston - H packed in wooden box	110125



ACCESSORIES



1 Stacking adapter NCV3
d 45 x d 70 / 125-250 mm
102290 (1 set / 2 pcs.)

2 Stacking adapter V-prism
d 45 / 182-312 mm
102289 (1 set / 2 pcs.)

3 Stacking adapter U-form
d 130 x d 45 / 193-295 mm
102288 (1 set / 4 pcs.)

4 Stacking adapter extension
80 mm
102284 (1 set / 4 pcs.)

5 Stacking adapter extension
130 mm
102287 (1 set / 4 pcs.)

Herrmann AG
Bahnhofstrasse 32
D-93483 Pöding

Phone: +49 (0)9461/91388 50
E-Mail: sales@herrmann-lifts.com

www.herrmann-lifts.com