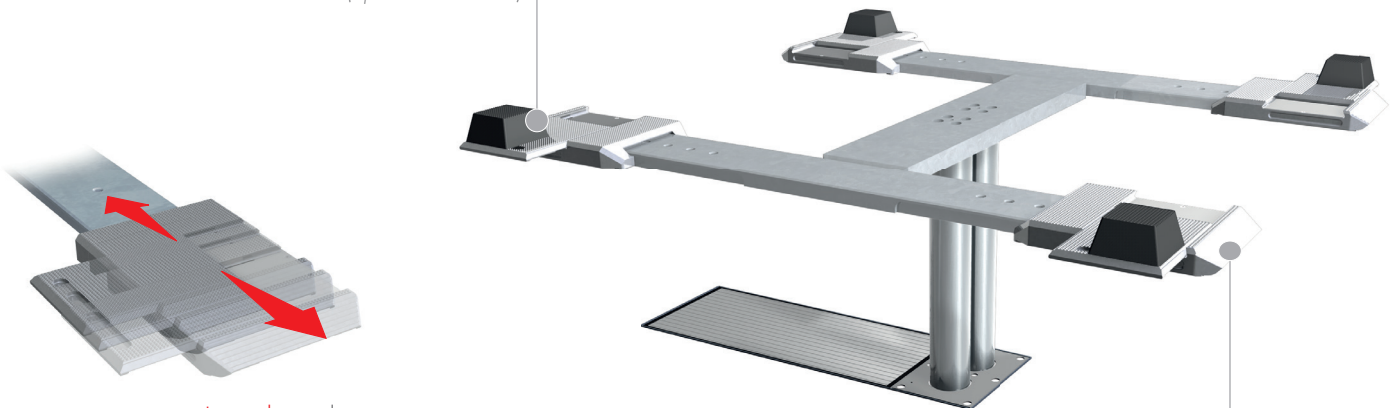


SURFACE MOUNTED

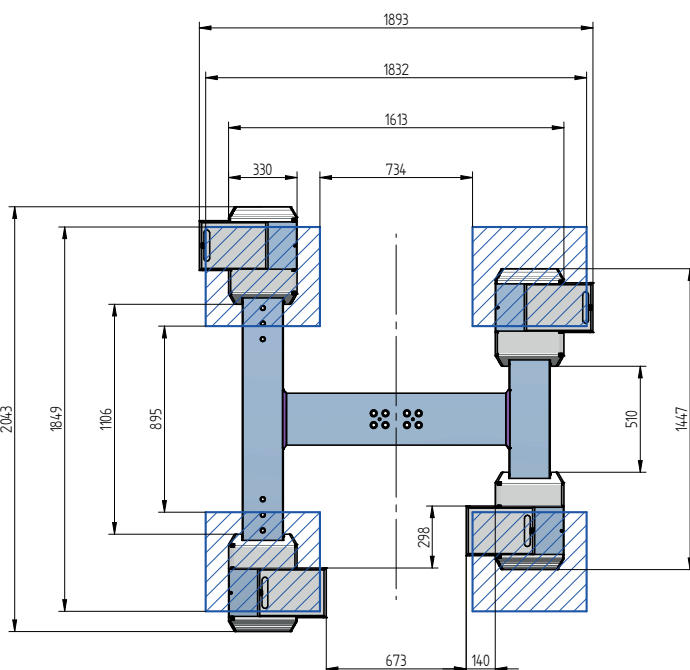


Rubber pad pyramid 70 mm
102273 (optional accessories)



Length and crosswise
adjustable aluminum
slider plates

Drive over height
only 60 mm



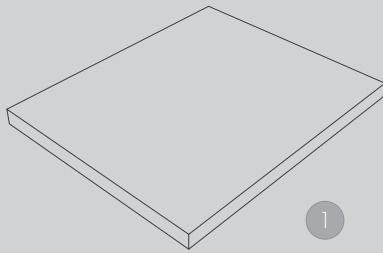
TECHNICAL DATA

| | |
|-------------------------|------------|
| Capacity | 3500 kg |
| Effective raise height | 2045 mm |
| Drive over height | 60 mm |
| Piston diameter | 123 mm |
| Installation depth | 2408 mm |
| Motor output | 3,0 kW |
| Power connector | 400 V/16 A |
| Cable length to control | 11 m |
| Lifting time | ≈ 35 sec. |
| Lowering time | ≈ 35 sec. |

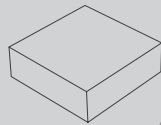
| | |
|---|--------|
| Support Classic 1.35 H plus galvanized | 110175 |
| Installation cassette STEEL 1-piston | 2040XX |
| Installation cassette STEEL 1-piston galvanized | 2041XX |
| Lifting unit oil 3,5 t 1-piston - K pre-assembled in installation cassette | 110077 |
| Lifting unit oil 3,5 t 1-piston - H packed in wooden box | 110125 |

CLASSIC 1.35 H PLUS

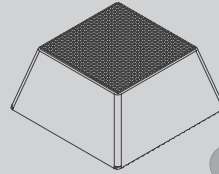
ACCESSORIES



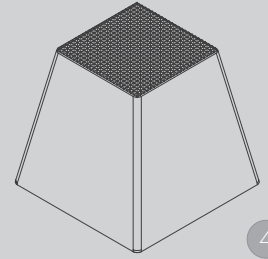
1



2



3



4

1 | Rubber pad
290 x 335 x 20 mm
102275 (1 Set / 4 Pieces)

2 | Rubber pad
120 x 120 x 40 mm
102274 (1 Set / 4 Pieces)

3 | Rubber pad pyramid
70 mm
102273 (1 Set / 4 Pieces)

4 | Rubber pad pyramid
140 mm
102291 (1 Set / 4 Pieces)

Herrmann AG
Bahnhofstrasse 32
D-93483 Pöding

Phone: +49 (0)9461/91388 50
E-Mail: sales@herrmann-lifts.com

www.herrmann-lifts.com