



Mastercool[®]
"World Class Quality"

70070 "Ratchet Style" Tube Bender Kit
 Parts Breakdown

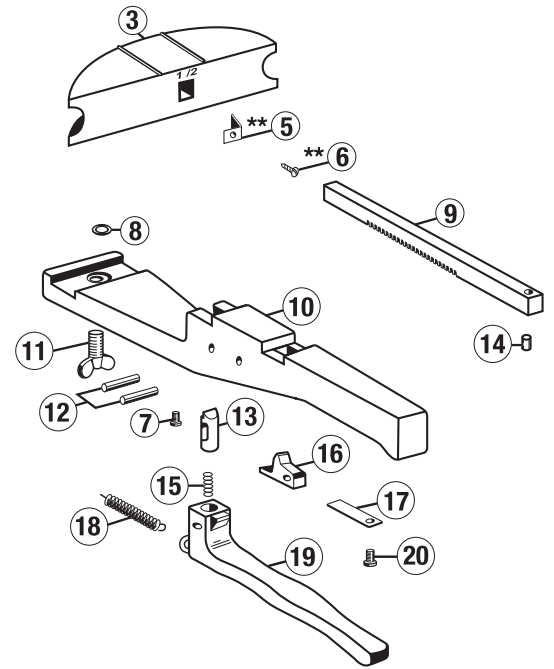
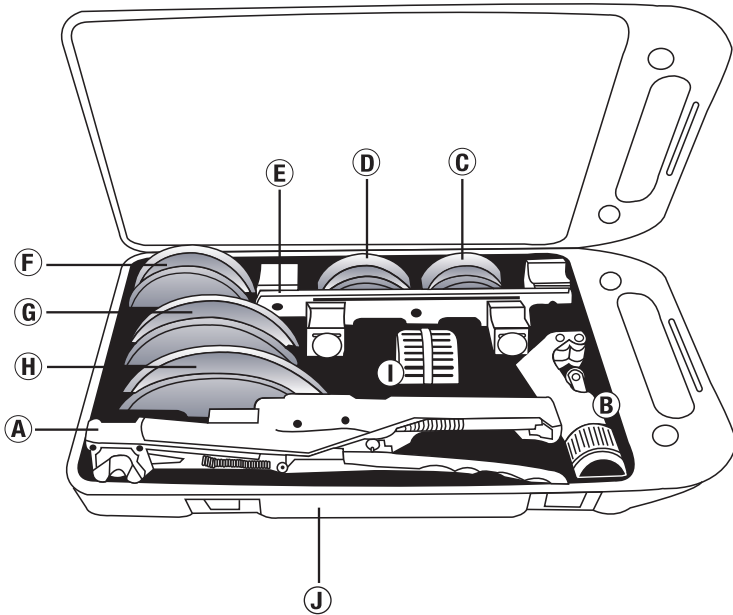


Fig.	Part#	Description
A)	70070-1-1	Handle Ratchet Assembly
B)	70033	Heavy Duty Tube Cutter
C)	70070-3-3	3/8" Former
D)	70070-3-4	1/2" Former
E)	70070-1-2	Fixture Guide
F)	70070-3-5	5/8" Former
G)	70070-3-6	3/4" Former
H)	70070-3-7	7/8" Former
I)	70085	Inner-Outer Reamer
J)	70070-PB	Plastic Box

Fig.	Part#	Description
3)	70070-3	Former
**5)	70070-5	Clamping Spring
**6)	70070-6	Sheet Metal Screw
7)	70070-7	Button Head Cap Screw
8)	70070-8	E-Clip
9)	70070-9	Rack
10)	70070-10	Housing
11)	70070-11	Wing Screw
12)	70070-12	Pin
13)	70070-13	Catch Bolt
14)	70070-14	Screw
15)	70070-15	Pressure Spring
16)	70070-16	Catch Lever
17)	70070-17	Flap Spring
18)	70070-18	Extension Spring
19)	70070-19	Ratchet Lever
20)	70070-20	Button Head Cap Screw

**** Must purchase former, not available separately**